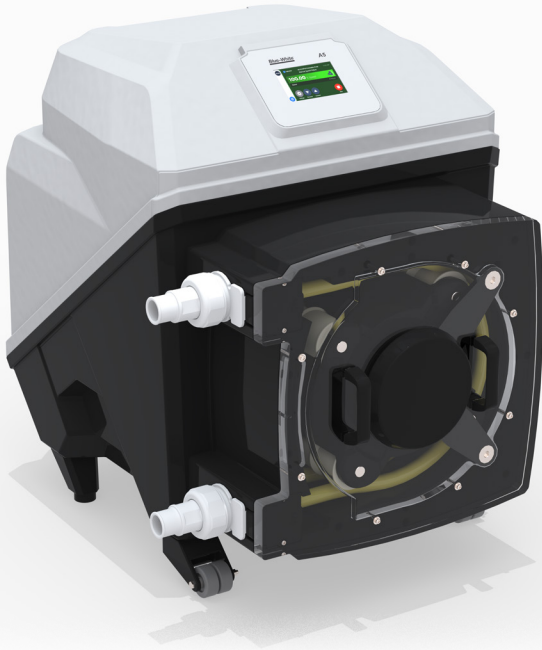


A5

FLEXFLO® Peristaltic Metering Pump



Features

- > 5" touchscreen color LCD display
- > User-friendly configurations
- > Self priming peristaltic metering pump delivers smooth chemical feed
- > Tube Failure Detection (TFD) system senses tube failure
- > Inputs include: 4-20mA, Pulse Inputs, Industrial Protocols, Remote Start/Stop



Highlights

Flow range

.0302 - 534 GPH
.1144 - 2021 LPH

Pressures

Up to 65 PSI
(4.4 bar)

Turndown ratio

2,500 : 1

Exclusive

Tube Failure Detection
(TFD)

Motor

Brushless DC

Warranty

2 Years

Control Methods

Control Methods	Manual Control	4-20mA Input	Remote Start/Stop	Pulse Input	Frequency Input	Ethernet/IP	Modbus TCP/IP	Profibus	4-20mA Output 4 Alarm Outputs
A5	•	•	•	•	•	•	•	•	•

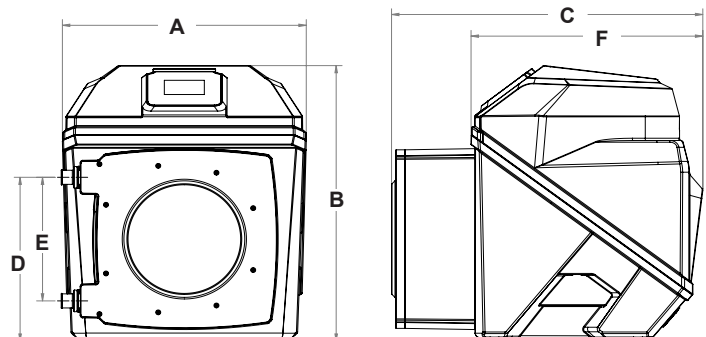


Maximum Working Pressure (excluding pump tubes)	Up to 65 psig (4.4 bar) NOTE: See individual pump tube assembly maximum pressure ratings.
Maximum Fluid Temperature (excluding pump tubes)	185 °F (85 °C) NOTE: See individual pump tube assembly max. temperature ratings.
Maximum Viscosity	12,000 Centipoise
Maximum Suction Lift	30 ft. Water, 0 psig (9.14 m, 0 bar)
Ambient Operating Temperature	14 °F to 115 °F (-10 °C to 46 °C)
Ambient Storage Temperature	-40 °F to 158 °F (-40 °C to 70 °C)
Operating Voltage	115VAC/60Hz, 1ph (5.2A)
	230VAC/60Hz, 1ph (2.6A)
	220VAC/50Hz, 1ph (2.6A)
	240VAC/50Hz, 1ph (2.6A)
	230VAC/50Hz, 1ph (2.6A)
Power Cord Options (Detachable - 6' Standard)	115V60Hz = NEMA 5/15 (USA)
	230V60Hz = NEMA 6/15 (USA)
	220V50Hz = CEE 7/VII (EU)
	240V50Hz = AS 3112 (Australia/New Zealand)
Motor	Brushless DC, .6 hp
	2,500:1 (0.04% - 100% motor speed) Max RPM = 75
Motor Speed Adjustment Range	0.1% increments > 1% motor speed and < 100%
Motor Speed Adjustment Resolution	0.01% increments < 1% motor speed
Display	5" touchscreen color LCD, UV resistant.
Display Languages	English, Spanish, French, German, and Portuguese selectable
Maximum Overall Dimensions	25.7"W x 30.1"H x 32.8"D (65.2W x 76.4H x 83.3D cm)
Product Weight	178 lb. (80.7 Kg)
Security	Programmable 6-digit password
Approximate Shipping Weight	340 lb. (154 Kg)
Enclosure	NEMA 2 (IP66), Kydex
RoHS Compliant	Yes
Standards	cETLus, CE

Dimensions

Dim	Inch	cm	Dim	Inch	cm
A	25.7"	65.2	D	17.9"	45.4
B	30.1"	76.4	E	13.5"	34.3
C	32.8"	83.3	F	24.4"	62.0

Overall Height with Mounting Bracket = 33.1"



Non-wetted Components:

Enclosure: Kydex

Pump Head: GF Noryl

Pump Head Cover: Acrylic

Motor Shaft Support Bracket: Powder-coated Aluminum

Permanently lubricated sealed motor shaft support ball bearing.

Cover Screws: Stainless steel, polypropylene cap

Roller Assembly:

Rotor: GF Noryl

Rollers: Nylon

Roller Bearings: SS Ball bearings

Motor Shaft: Chrome plated steel

TFD System Sensor: Hastelloy C-276

Power Cord: 3 conductor, SJTW-A water-resistant

Mounting Brackets and Hardware: 316 Stainless steel

Wetted Components:

Pump Tube Assembly:

Tubing: Flex-A-Prene®, or Flex-A-Thane®

Adapter Fittings: Polypropylene

O-Rings: FKM (Optional EP)

** Flex-A-Prene® and Flex-A-Thane® tubing comply with FDA 21 CFR, 117.2600 criteria for food processing.

Ancillary Items Not Included (sold separately):

Suction Tubing/Pipe, Discharge Tubing/Pipe, Injection Fittings, Foot Valves/Strainers, Quick Disconnect Valves, or Communications Wire/Cable.

Output Specifications

	Feed Rate			Max Pressure	Max Temperature	Tube Material / Size
	GPH	LPH	mL/Min	PSI (bar)	°F (°C)	
Flex-A-Prene® M5 Tube Pumps						
.2136 - 534	.8084 - 2021	13.476 - 33690	30 (2.1)	185 (85)	NPP	
.1072 - 286	.4332 - 1083	7.222 - 18056	50 (3.4)	185 (85)	NLL	
.0302 - 75.6	.1144 - 286	1.907 - 4769	65 (4.5)	185 (85)	NHHL	
Flex-A-Thane® M5 Tube Pumps						
.0617 - 154.2	.2334 - 583.6	3.891 - 9728	50 (3.4)	130 (54)	GKK	

Model Number

A5	FLEXFLO® Peristaltic metering pump							
Power Cord (operating voltage user selectable 115V/240 VAC 50/60Hz)								
4	115V / 60Hz, power cord NEMA 5/15 plug (US)							
6	220V / 50HZ, power cord CEE 7/VII plug (EU)							
X	No Power Cord							
Inlet/Outlet Connection Size, Connection Type, Connection Material								
M	1.5" Male NPT Fitting, Polypropylene, FKM O-rings							
B	1.5" Hose Barb, Polypropylene, FKM O-rings							
Pump Tube Material, Pump Tube Size, Output Range, Pressure								
NPP	Flex-A-Prene® .750 ID 0.2136– 534 GPH 0.8084 - 2021 LPH 13.476 - 33690 mL/min 30 PSI							
NLL	Flex-A-Prene® .500 ID 0.1072 – 286 GPH 0.4332 - 1083 LPH 7.222 - 18056 mL/min 50 PSI							
NHHL	Flex-A-Prene® .250 ID 0.0302 – 75.6 GPH 0.1144 - 286 LPH 1.907 - 4769 mL/min 65 PSI							
GKK	Flex-A-Thane® .375 ID 0.0617 – 154.2 GPH 0.2334 - 583.6 LPH 3.891 - 9728 mL/min 50 PSI							
Options (leave this blank for standard model with left facing pump head inlet/outlet)								
R	Right facing pump head, input / output (Left facing fluid input / output is standard)							
E	EP O-rings							
A5	S	2	4	-	M	NPP	R	Sample Model Number

Accessories

90010-663 115V/60Hz NEMA 5/15
 90010-664 220V/50Hz CEE 7/V11
 90010-665 230V/50Hz BS 1363/A
 90010-666 240V/50Hz AS 3112
 90010-696 230V/60Hz NEMA 6/15

POWER CABLES - 6 ft



CABLE-UAC
 USB A-C CABLE



KIT-M12
 TWO M12 CABLES



KIT-DP3
 ONE 3ft PROFIBUS CABLE

***KIT-M12-3** Three M12 Cables and **KIT-M12-6** Six M12 Cables also available.

Visit Accessory Pages for More Options