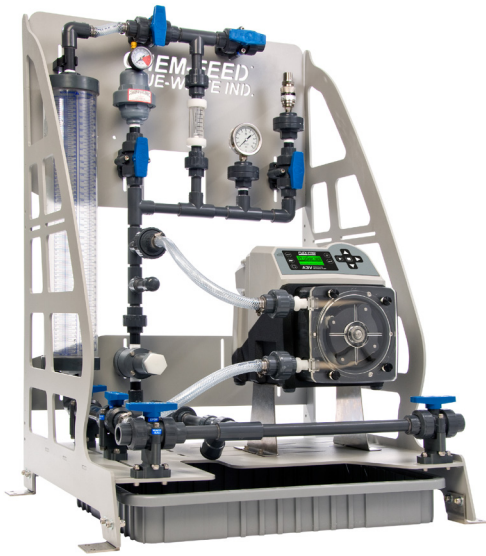


CFS-1

CHEM-FEED® Aluminum Single Skid System



Features

- > The pre-fabricated design allows for easy installation
- > Strong, lightweight polyester powder coated welded aluminum structure
- > Dual side inlets enable connection of multiple skids to the same inlet
- > Flow Indicator provides a visual indication of chemical movement
- > Optional Flow Verification Sensor for monitoring system

Highlights

Piping

PVC Schedule 80
(optional CPVC)

Pressure

150 PSI
(10.3 bar)

Compatibility

A-100N, A1, A2, A3, A4,
CD1, CD3, C2, C3

Frame material

Powder coated aluminum

Mounting position

Floor or wall

Warranty

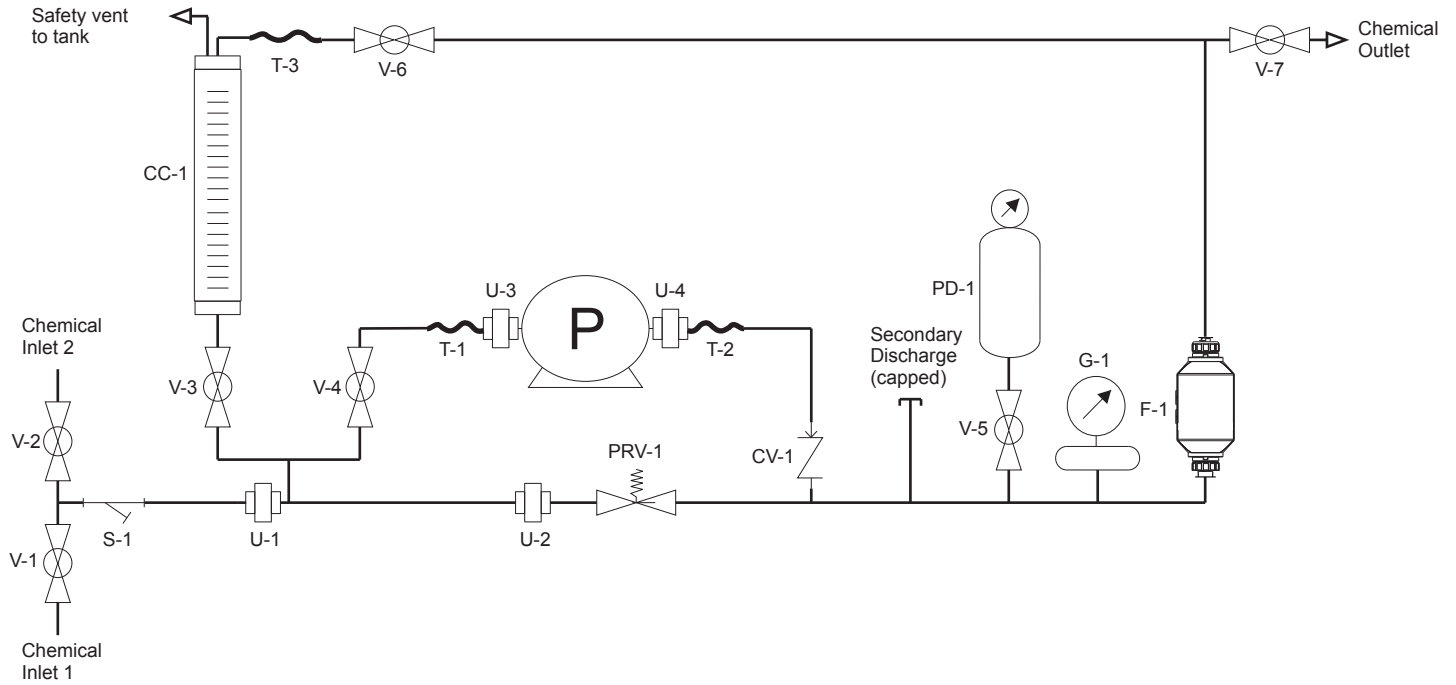
2 Years



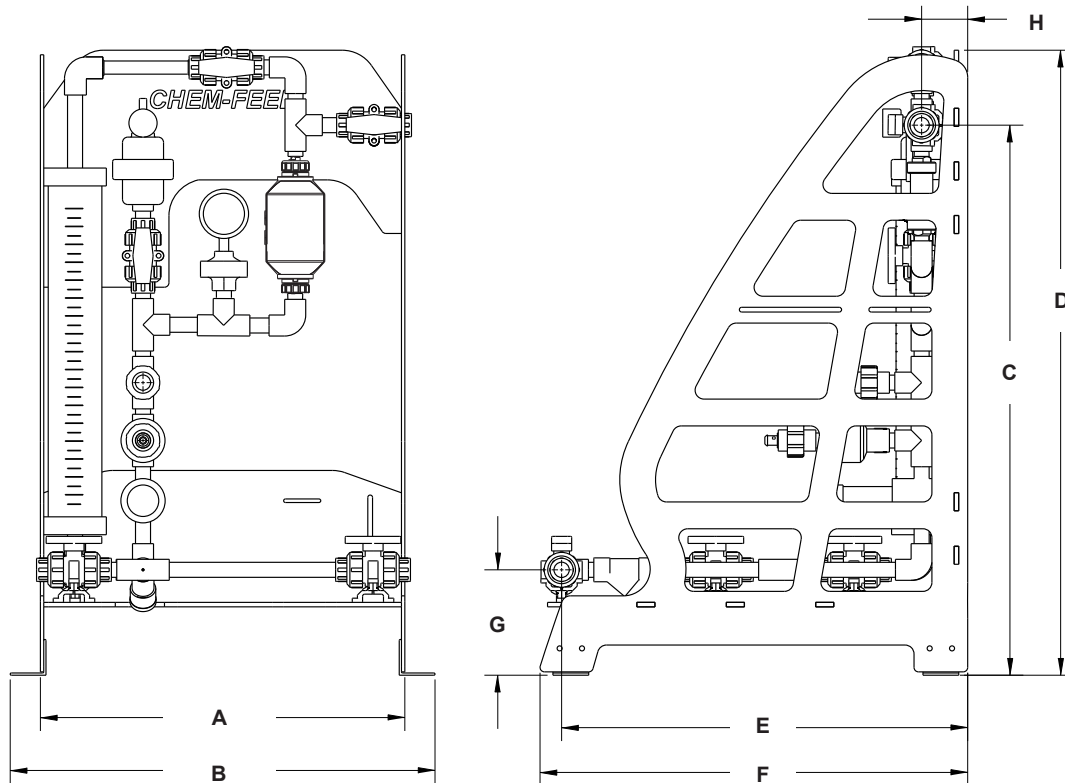
Skid	Chemically resistant polyester powder coated 6061 T6 aluminum. Welded joint construction.
Pump (sold separately)	FLEXFLO® A-100N, A1, A2, A3 or A4 peristaltic pumps. CHEM-FEED® CD1, C2, C3, or CD3 diaphragm pumps.
Piping	PVC Schedule 80 (optional CPVC)
Tubing (T)	Reinforced braided PVC, 200 Psi max, certified NSF 51 / NSF 61. The pump inlet and outlet flexible tubing connections are terminated to half unions and secured to the barbed fitting with stainless steel clamps. The calibration cylinder fill
Tubing Clamps	300 series SS band, 400 series SS screw
Unions (U)	PVC body, schedule 80, FKM seals
Ball Valves (V)	Vented type ball, True unions, PVC body, PTFE shaft bearings and seats, FKM seals
Pressure Relief Valve (PRV)	PVC body, PTFE primary diaphragm seal. Non-wetted components: FKM secondary seal, zinc plated steel spring, stainless steel external hardware, HDPE pressure adjusting screw and locknut. Infinite adjustment from 5-100 psi. Maximum inlet pressure 150 psi.
Calibration Cylinder (CC)	PVC body, PVC end caps, 1/4" ID tubing outlet vent. Available volumes: 3 GPH (100ml), 8 GPH (250ml), 16 GPH (500ml), 32 GPH (1000ml), 64 GPH (2000ml).
Pulsation Dampener (PD)	CPVC body, 10 cubic inch volume, FKM bladder (optional EPDM bladder)
Gauge W/Guard (G)	Gauge: liquid filled stainless steel with blowout plug, bottom mount, 1/4" NPT threads. Available pressure ranges: 0-30 psi, 0-100, psi, 0-200 psi. Guard: PVC body, FKM diaphragm seal, temperature compensated oil filled.
Check Valve (CV)	PVC body, FKM diaphragm (optional EPDM). Cracking pressure: 1.0-1.5 psi. Maximum working pressure: inlet = 150 psi, back = 100 psi.
Flow Indicator (F)	Machined cast acrylic, PVC connections, ceramic ball, polypropylene ball stop, PVC half unions, FKM seals (optional EPDM).
Y Strainer (S)	PVC body, FKM seals (optional EPDM).
S6A Chemical Flowmeter (FVS)	PVDF & PEEK body, PVC socket weld connections, FKM seals (optional EPDM). Available working flow ranges: 10-5,000 ml/min (0.158 - 79.2 GPH) 100-10,000 ml/min (1.58 - 158.0 GPH)
Universal Mounting Blocks	PA12
Pump Extended Mounting Brackets	316 Stainless Steel
Skid Mounting Foot Pads	316 Stainless Steel
Mounting Hardware	18-8 Stainless Steel
Drip Tray	Polypropylene, 16" x 21" x 3" - 4 gallons (15.1L) total containment
Maximum Working Pressure	150 psig (10.3 bar)
Operating Temperature	14 °F to 115 °F (-10 °C to 46 °C)
Approximate Shipping Weight	60 lb. (27.2 Kg)

Piping and Instrumentation Diagrams

CFS-1



Dimensions



Dim	Inch	cm	Dim	Inch	cm
A	20.25"	51.40	E	22.75"	57.80
B	23.75"	60.30	F	24.00"	61.00
C	30.75"	78.10	G	6.00"	15.20
D	35.00"	88.90	H	2.50"	6.40

CHEM-FEED® Engineered Skid System - Industrial

CFS-1 Industrial Single pump system - single chemical / single outlet

Piping / Valves / Unions / Seal Materials

A	PVC piping, FKM seals, 1/2" ID PVC braided tubing connections	E	CPVC piping, FKM seals, 1/2" ID PVC braided tubing connections
B	PVC piping, EPDM seals, 1/2" ID PVC braided tubing connections	F	CPVC piping, EPDM seals, 1/2" ID PVC braided tubing connections
C	PVC piping, FKM seals, 1/4" ID polyethylene tubing connections	G	CPVC piping, FKM seals, 1/4" ID Polyethylene tubing connections
D	PVC piping, EPDM seals, 1/4" ID Polyethylene tubing connections	H	CPVC piping, EPDM seals, 1/4" ID Polyethylene tubing connections
X	Skid frame only without piping		

Structure Assembly Materials

A	Chemical resistant powder coated aluminum stand with 316SS mounting pads
----------	--

Chemical Feed Flow Meter

E	S6A12 chemical feed flow meter with meter mount display, 10-5,000 ml/min (0.158 - 79.2 GPH)
F	S6A22 chemical feed flow meter with meter mount display, 100-10,000 ml/min (1.58 - 158.5 GPH)
X	None

	Calibration Cylinder	PVC		Glass
A	64 GPH (2000 ml)	A		
B	32 GPH (1000 ml)	B		P
C	16 GPH (500 ml)	C		Q
D	8 GPH (250 ml)	D		R
E	3 GPH (100 ml)	E		S
X	None			

Pulsation Dampener

A	10 cubic inch, CPVC body, PTFE diaphragm	X	None
----------	--	----------	------

Pressure Gauge w/Guard

A	200 PSI gauge, PTFE diaphragm	C	30 PSI gauge, PTFE diaphragm
B	100 PSI gauge, PTFE diaphragm	X	None

Miscellaneous Options (leave blank if not specified)

A	Isolation ball shut-off valves at check valves
1	Install a specific pump model on the skid and perform pressure and fluid testing

CFS-1	A	A	-	E	A	A	A	-	A	Sample Model Number
--------------	----------	----------	----------	----------	----------	----------	----------	----------	----------	----------------------------

NOTE: All skid systems ship with the following in/out union connections: 1/2" PVC female NPT, 1/2" PVC slip glue.

P.N. 85000-174 CFS-1 REV 1 20230227

5300 Business Drive, Huntington Beach, CA 92649
 TEL 714-893-8529 | FAX 714-894-9492 | www.blue-white.com | sales@blue-white.com

