

# CFPS-3-M

## CHEM-FEED® Plastic Triplex Skid System

---



### Features

- > Chemically resistant polyethylene structure
- > Leak free, threadless connections
- > Pressure Relief Valve protects the system from over-pressurization
- > Check Valve protects the user from back-flow
- > Flow Indicator provides a visual indication of chemical movement

Video link:



### Highlights

**Piping**

PVC Schedule 80  
(optional CPVC, PVDF, and  
Chem Proline® PE)

**Pressure**

150 PSI  
(10.3 bar)

**Compatibility**

M1, M2, M3, M4,  
MD1, C2, C3, MD3

**Frame material**

Polyethylene

**Mounting position**

Floor or wall

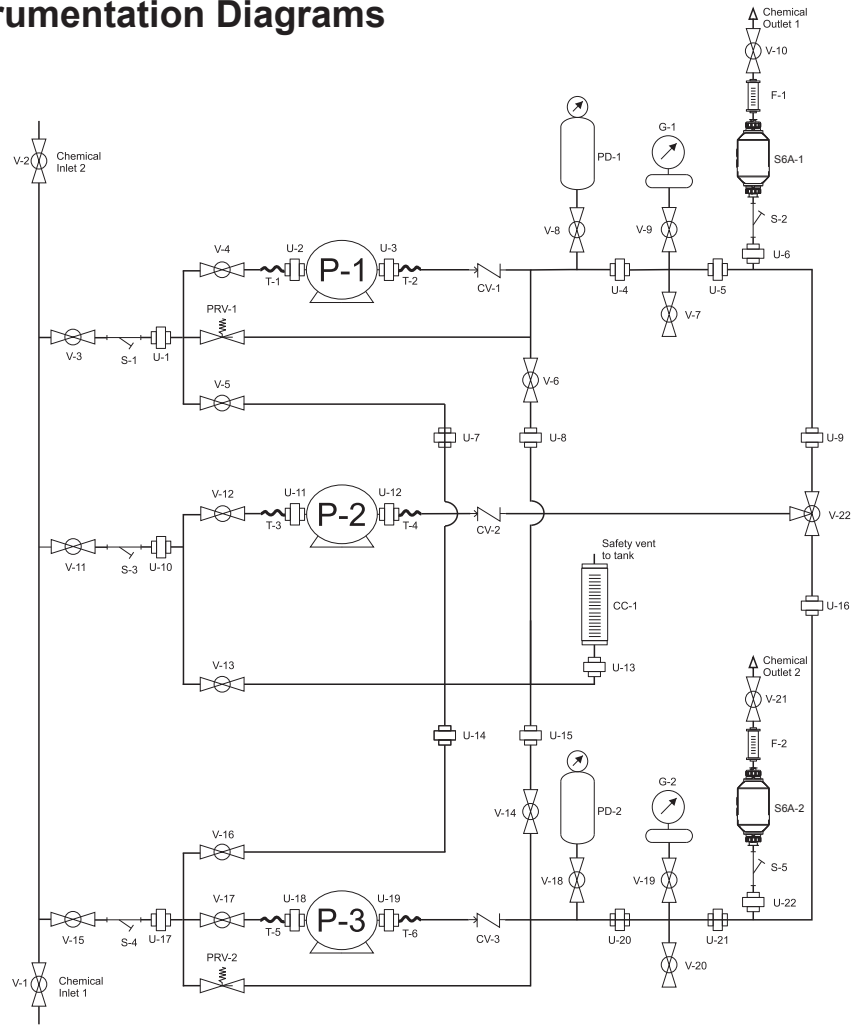
**Warranty**

2 Years

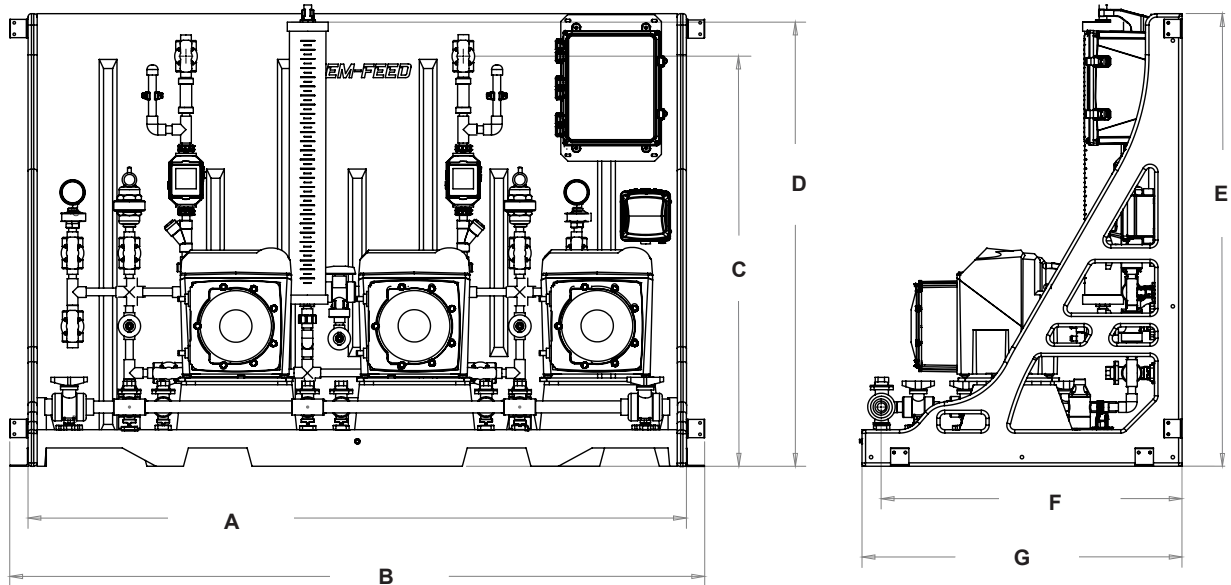


<b>Skid</b>	Chemically resistant polyethylene structure
<b>Pump (sold separately)</b>	FLEXFLO® M1, M2, M3 or M4 peristaltic pumps CHEM-FEED® MD1, C2, C3 or MD3 diaphragm pumps
<b>Piping</b>	1" Inlet & 1/2" outlet PVC schedule 80 (optional CPVC, PVDF, Chem Proline®)
<b>Seals</b>	FKM seals (optional EPDM)
<b>Tubing (T)</b>	Reinforced braided PVC, 200 psi max, certified NSF 51 / NSF 61. The pump inlet and outlet flexible tubing connections are terminated to half unions and secured to the barbed fitting with stainless steel clamps. (Optional: 1/2" PTFE, 1/4" PE, 1/4" PTFE)
<b>Tubing Clamps</b>	300 series SS band, 400 series SS screw
<b>Unions (U)</b>	PVC body, schedule 80 (optional CPVC, PVDF)
<b>Ball Valves (V)</b>	True unions, PVC body, PTFE shaft bearings and seats (optional CPVC, PVDF)
<b>Pressure Relief Valve (PRV)</b>	PVC body, PTFE primary diaphragm seal. Non-wetted components: EPDM secondary seal, zinc plated steel spring, stainless steel external hardware, HDPE pressure adjustment screw. Infinite adjustment from 10-150 psi. (optional CPVC, PVDF)
<b>Calibration Cylinder (CC)</b>	PVC body, PVC end caps, 1/2" PVC pipe outlet vent Available volumes: 3 GPH (100ml), 8 GPH (250ml), 16 GPH (500ml), 32 GPH (1000ml), 64 GPH (2000ml), and 132 GPH (4000mL).
<b>Pulsation Dampener (PD)</b>	CPVC body, 10 cubic inch volume (optional PVDF)
<b>Gauge W/Guard (G)</b>	Gauge: liquid filled stainless steel with blowout plug, bottom mount, 1/4" NPT threads. Available pressure ranges: 0-30 psi, 0-100, psi, 0-200 psi. Guard: PVC body, temperature compensated oil filled. (optional CPVC, PVDF)
<b>Check Valve (CV)</b>	PVC body. Cracking pressure: 1.0-1.5 psi Maximum working pressure: inlet = 150 psi, back = 100 psi (optional CPVC, PVDF)
<b>Flow Indicator (F)</b>	Machined cast acrylic, PVC connections, ceramic ball, PVDF ball stop, PVC half unions
<b>Y Strainer (S)</b>	PVC body, 1/32" Mesh (optional CPVC, PVDF)
<b>Pressure Switch (PSH)</b>	316 Stainless Steel
<b>Back-Pressure Valve (BPV)</b>	PVC body, 0-150 PSI Range (optional CPVC, PVDF)
<b>Universal Mounting Blocks</b>	PA 12
<b>Pump Extended Mounting Brackets</b>	316 Stainless Steel
<b>Skid Mounting Foot Pads</b>	316 Stainless Steel
<b>Mounting Hardware</b>	304 Stainless Steel - Floor mounting only acceptable
<b>Maximum Working Pressure</b>	150 psig (10.3 bar)
<b>Operating Temperature</b>	14 °F to 115 °F (-10 °C to 46 °C)
<b>Containment Volume</b>	3.2 gal (12.46L) - Integral to skid. 1/4" FNPT drain port.
<b>Maximum Overall Dimensions</b>	72"W x 49.50"H x 35.0"D (82.88W x 125.73H x 88.90D cm)
<b>Approximate Shipping Weight</b>	Standard: 200 lb. (91 Kg) with mounted pumps: 240-380 lbs (172 Kg)

# Piping and Instrumentation Diagrams



## Dimensions



Dim	Inch	cm	Dim	Inch	cm
A	72.00"	182.88	E	49.50"	125.73
B	76.00"	193.04	F	32.91"	83.59
C	44.85"	113.92	G	35.00"	88.90
D	48.57"	123.37			

# Model Number Matrix

CFPS-3-M

## CHEM-FEED® Triplex Skid System Matrix - Municipal

<b>CFPS-3</b>	Triplex pump system - PE structure														
<b>Inlet/Outlet</b>															
<b>A</b>	Single Inlet / Dual Outlet														
<b>B</b>	Single Inlet / Triple Outlet														
<b>X</b>	None, Skid Panel Only														
<b>Piping/Unions</b>															
<b>A</b>	PVC	<b>B</b>	CPVC	<b>C</b>	PVDF	<b>D</b>	Chem Proline®								
<b>Seals</b>															
<b>V</b>	FKM	<b>E</b>	EPDM												
<b>Tubing Connections</b>															
<b>A</b>	1/2" ID PVC Braided	<b>B</b>	1/2" ID PTFE	<b>C</b>	1/4" ID PE	<b>D</b>	1/4" ID PTFE								
<b>Calibration Column</b>															
<b>A</b>	128 GPH (4000 ml) PVC				<b>F</b>	3 GPH (100 ml) PVC									
<b>B</b>	64 GPH (2000 ml) PVC				<b>P</b>	32 GPH (1000 ml) Glass									
<b>C</b>	32 GPH (1000 ml) PVC				<b>Q</b>	16 GPH (500 ml) Glass									
<b>D</b>	16 GPH (500 ml) PVC				<b>R</b>	8 GPH (250 ml) Glass									
<b>E</b>	8 GPH (250 ml) PVC				<b>S</b>	3 GPH (100 ml) Glass									
<b>Pulsation Dampener (Two dampeners provided)</b>															
<b>P</b>	10 cubic in				<b>X</b>	Not Included									
<b>Back Pressure Valve</b>															
<b>B</b>	Included				<b>X</b>	Not Included									
<b>Pressure Gauge w/Guard</b>															
<b>A</b>	200 PSI			<b>B</b>	100 PSI			<b>C</b>	30 PSI						
<b>Pressure Switch w/Guard</b>															
<b>S</b>	Included				<b>X</b>	Not Included									
<b>Flow Meter w/Strainer</b>															
<b>A</b>	10-5000 ml/m				<b>B</b>	100-10000 ml/m									
<b>X</b>	Not Included														
<b>Terminal Box</b>															
<b>TA</b>	M3S/M4S/MD3S				<b>TD</b>	M3/M4/MD3 (Legacy)									
<b>TB</b>	M1/MD1				<b>X</b>	Not Included									
<b>TC</b>	M2/C2/C3														
<b>Pumps</b>															
<b>P</b>	Mounted*				<b>X</b>	Not Included									
*reference Adapter Kits Sheet 85000-198 when ordering with pumps utilizing "M = 1/2"MNPT" or "F = 1/2"FNPT" connections.															
<b>CFPS-3</b>	<b>M</b>	<b>A</b>	<b>A</b>	<b>V</b>	<b>A</b>	<b>-</b>	<b>A</b>	<b>P</b>	<b>B</b>	<b>A</b>	<b>S</b>	<b>A</b>	<b>TA</b>	<b>P</b>	<b>Sample Model Number</b>

**NOTE:** When ordering pumps for skids, pump head orientation is standard LEFT facing only. When ordering skid with pumps of different model numbers, please include complete model number of each pump and location on skid with order. Contact factory for quote/pricing on 5-point performance testing.