

Blue-White® FLEXFLO® Peristaltic Metering Pumps

Engineering and Technical Data

A-100NFP

Variable Speed
Dial Knob Control
Enhanced Tube Failure Detection
Oil and Water Based Polymers



Features:

- Peristaltic pump design does not have valves that can clog requiring maintenance.
- Self priming - even against maximum line pressure. By-pass valves are not required. Cannot vapor lock or lose prime.
- Outputs to 5.17 GPH (19.56 LPH).
- Output pressures to 65 PSI (4.5 bar).
- Output volume is not effected by changes in back pressure.
- Patented pump tube design installs easily and stays centered on the rollers without manual adjustment.
- Two pump tubes supplied with each pump. No extra tubing required.
- Easy to use dial knob speed adjustment.
- Built-in Tube Failure Detection Plus system (TFD+). Senses chemical in the pump head, shuts off the pump and activates an NPN open collector output.
- Compatible with Blue-White's output flow verification sensor system.
- Durable housing of chemical resistant Valox (PBT) thermoplastic.

Specifications:

Max. working pressure:65 psig (4.5 bar)	Voltage (amp draw):115VAC/60Hz, 1ph (.513 amp max)
Max. fluid temperature:130° F (54° C)		230VAC/60Hz, 1ph (.563 amp max)
Max. ambient temperature:	...14° to 110° F/ -10° to 43° C		220VAC/50Hz, 1ph (.660 amp max)
Output adjustment range:10-100% in 1% increments		240VAC/50Hz, 1ph (.585 amp max)
Duty cycle:Continuous	Power Cord Plug Type:115V60Hz = NEMA 5/15 (USA)
Maximum viscosity:5,000 Centipoise		220V50Hz = CEE 7/II (EUROPE)
Maximum suction lift:30 ft. Water 0 psig	Approximate shipping wt:	...12 lb. (5.4 kg)
Maximum Solids:50% by volume		
Enclosure:NEMA 3R, (IP23)		

Materials of Construction:

Wetted components:

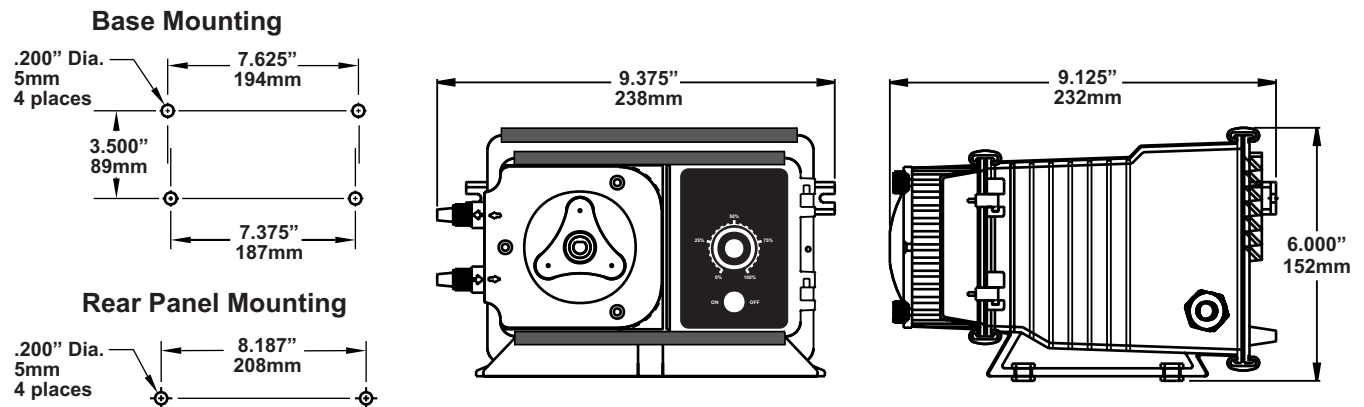
Pump Tube Assembly:.....Flex-A-Thane®
 Suction Tubing:.....Clear PVC
 Suction Strainer:.....Natural Polypropylene
 Discharge Tubing:.....Natural Polyethylene (LLDPE)
 Injection/Check valve:
 Body & insert:Polypropylene (optional PVDF)
 Check Ball:Ceramic
 Spring:Hastelloy C-276
 Ball Seat O-ring:.....TFE/P (optional EP)
 Static Seal O-ring:.....FKM (optional EP)

Non-Wetted components:

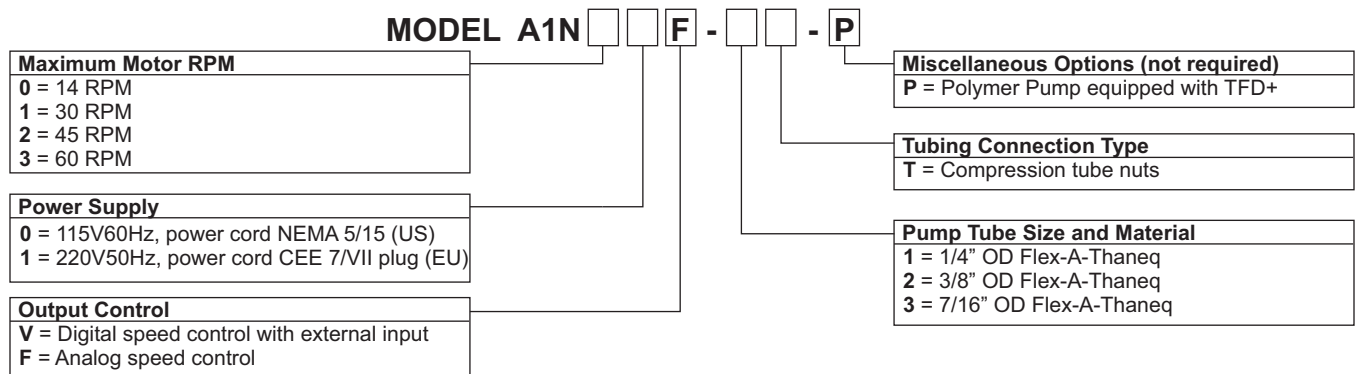
Pump Head & Enclosure:Valox® (PBT) thermoplastic
 Pump Head Cover:Clear Acrylic
 Cover Screws:300 Stainless, Polypropylene cap
 Roller Assembly:
 Rotor:Valox® (PBT)
 Rollers:Nylon
 Roller Bearings:Bronze
 Motor Shaft:Nickel plated steel
 TFD System Sensor pins:Hastelloy C-276
 Power Cord:3 conductor, SJTW-A Water-resistant

Blue-White® FLEXFLO® Peristaltic Metering Pumps

Dimensions:



Model Number Matrix:



Maximum Flow rate and pressure capacities:

Model Number	Feed Rate	RPM	Max PSI (BAR)	Pump Tube Part Number	Pump Tube Material	Nominal Pump Tube OD
A1N0*F-1T-P	1.5 - 15 ML/min	14	65 (4.5)	A1-1T	Flex-A-Thane®	1/4" (6,4mm)
A1N1*F-1T-P	3.5 - 35 ML/min	30	65 (4.5)	A1-1T	Flex-A-Thane®	1/4" (6,4mm)
A1N3*F-1T-P	6.7 - 67 ML/min	60	65 (4.5)	A1-1T	Flex-A-Thane®	1/4" (6,4mm)
A1N3*F-2T-P	14.0 - 140 ML/min	60	65 (4.5)	A1-2T	Flex-A-Thane®	3/8" (9,5mm)
A1N2*F-3T-P	26.1 - 261 ML/min	45	50 (3.5)	A1-3T	Flex-A-Thane®	7/16" (11,1mm)
A1N3*F-3T-P	32.6 - 326 ML/min	60	50 (3.5)	A1-3T	Flex-A-Thane®	7/16" (11,1mm)