

Blue-White®

FLEXFLO® Peristaltic Metering Pumps

Engineering and Technical Data

A-100NVP

Variable Speed

Digital Control

4-20mA, 0-10VDC
& Pulse Inputs

Enhanced Tube Failure Detection

Oil and Water Based Polymers



Features:

- Peristaltic pump design does not have valves that can clog requiring maintenance.
- Self priming - even against maximum line pressure. By-pass valves are not required. Cannot vapor lock or lose prime.
- Outputs to 5.17 GPH (19.56 LPH).
- Output pressures to 65 PSI (4.5 bar).
- Output volume is not effected by changes in back pressure.
- Patented pump tube design installs easily and stays centered on the rollers without manual adjustment.
- Two pump tubes supplied with each pump. No extra tubing required.
- Accepts 4-20mA, 0-10Vdc, and Pulse inputs for manual or external speed control.
- Operator friendly digital touch pad.
 - Easy to read LCD display
 - Service and Alarm indicator icons.
 - Display motor speed or input signal values.
 - Prime mode for easy priming without changing programming.
- Built-in Tube Failure Detection Plus system (TFD+). Senses chemical in the pump head, shuts off the pump and activates a 1 amp alarm relay (dry contact closure).
- Compatible with Blue-White's output flow verification sensor system.
- Durable housing of chemical resistant Valox (PBT) thermoplastic.

Specifications:

Max. working pressure:65 psig (4.5 bar)
Max. fluid temperature:130° F (54° C)
Max. ambient temperature:14° to 110° F/ -10° to 43° C
Output adjustment range:
14 & 30 RPM with -1T, -2T tubes:5-100% (20:1 turndown)
All other models:10-100% (10:1 turndown)
Duty cycle:.....Continuous
Maximum viscosity:5,000 Centipoise
Maximum suction lift:30 ft. Water 0 psig
Maximum Solids:50% by volume
Enclosure:NEMA 3R, (IP23)

Voltage (amp draw):115VAC/60Hz, 1ph (.350 amp max)
230VAC/60Hz, 1ph (.173 amp max)
220VAC/50Hz, 1ph (.175 amp max)
240VAC/50Hz, 1ph (.193 amp max)
Power Cord Plug Type:.....115V60Hz = NEMA 5/15 (USA)
220V50Hz = CEE 7/II (EUROPE)
Approximate shipping wt: ...12 lb. (5.4 kg)

Materials of Construction:

Wetted components:

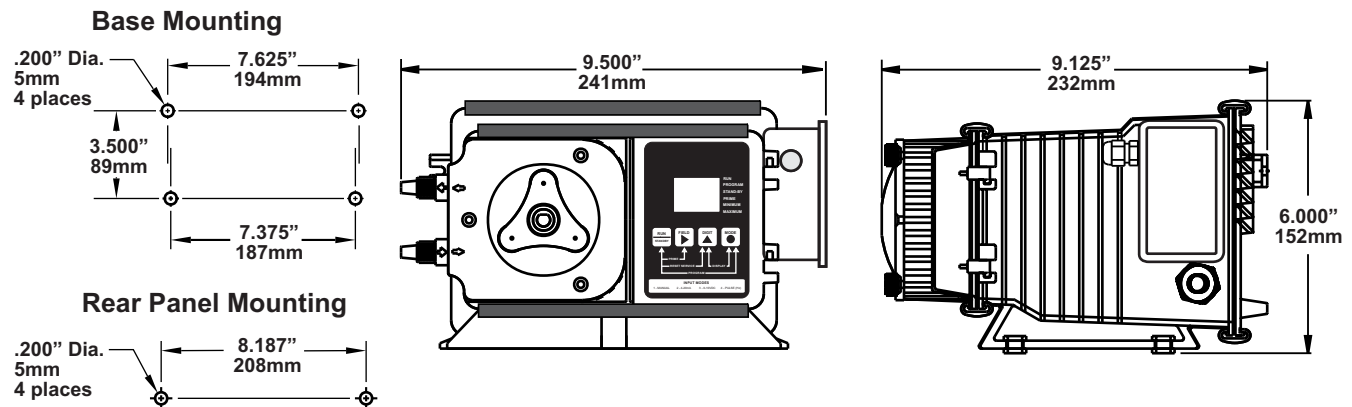
Pump Tube Assembly:..... Flex-A-Thane®
Suction Tubing:.....Clear PVC
Suction Strainer:.....Natural Polypropylene
Discharge Tubing:.....Natural Polyethylene (LLDPE)
Injection/Check valve:
Body & insert:Polypropylene (optional PVDF)
Check Ball:Ceramic
Spring:Hastelloy C-276
Ball Seat O-ring:.....TFE/P (optional EP)
Static Seal O-ring:.....FKM (optional EP)

Non-Wetted components:

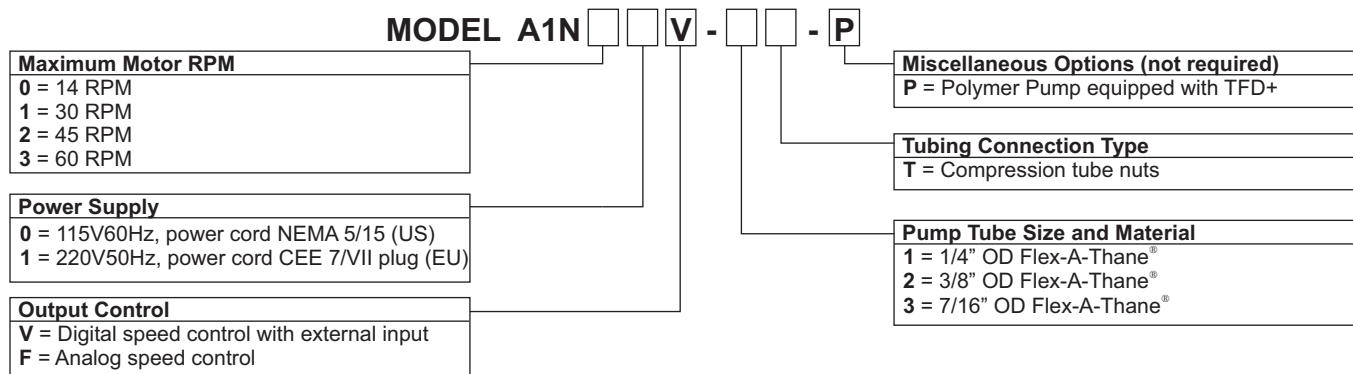
Pump Head & Enclosure:.....Valox® (PBT) thermoplastic
Pump Head Cover:.....Clear Acrylic
Cover Screws:.....300 Stainless, Polypropylene cap
Roller Assembly:
Rotor:.....Valox® (PBT)
Rollers:Nylon
Roller Bearings:Bronze
Motor Shaft:.....Nickel plated steel
TFD System Sensor pins:Hastelloy C-276
Power Cord:3 conductor, SJTW-A Water-resistant

Blue-White® FLEXFLO® Peristaltic Metering Pumps

Dimensions:



Model Number Matrix:



Maximum Flow rate and pressure capacities:

Model Number	Feed Rate	RPM	Max PSI (BAR)	Pump Tube Part Number	Pump Tube Material	Nominal Pump Tube OD
A1N0*V-1T-P	0.8 - 15 ML/min	14	65 (4.5)	A1-1T	Flex-A-Thane®	1/4" (6,4mm)
A1N1*V-1T-P	1.8 - 35 ML/min	30	65 (4.5)	A1-1T	Flex-A-Thane®	1/4" (6,4mm)
A1N3*V-1T-P	6.7 - 67 ML/min	60	65 (4.5)	A1-1T	Flex-A-Thane®	1/4" (6,4mm)
A1N3*V-2T-P	14.0 - 140 ML/min	60	65 (4.5)	A1-2T	Flex-A-Thane®	3/8" (9,5mm)
A1N2*V-3T-P	26.1 - 261 ML/min	45	50 (3.5)	A1-3T	Flex-A-Thane®	7/16" (11,1mm)
A1N3*V-3T-P	32.6 - 326 ML/min	60	50 (3.5)	A1-3T	Flex-A-Thane®	7/16" (11,1mm)